



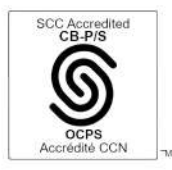
POOL & SPA PRODUCT GUIDE

INNOVATION MATTERS



Questions? Give us a call at 805.499.1144

- 2 Our Mission
- 3 About Us
- 4 Product Table of Contents
- 5 Terms and Conditions
- 6 Our Products
- 28 Free Shipping



AFRAS INDUSTRIES

OUR MISSION

At Afras Industries, our unwavering commitment is to deliver cutting-edge engineering solutions to our esteemed clientele within the water, air, pool and spa industries. With a proud legacy spanning over two decades, we have consistently maintained a position of leadership in product design, scalable manufacturing, meticulous project planning, and the provision of expert consultation. Our dedication to innovation and quality drives our mission, ensuring that we continue to exceed the expectations of our valued customers while contributing to the advancement of technology and excellence in these vital sectors.

INNOVATION MATTERS

AFRAS INDUSTRIES

For over two decades, Afras Industries has been at the forefront of innovation in the pool/spa, water, and air industries. Founded more than 20 years ago, we have established a distinguished reputation as a trailblazing engineering company, dedicated to crafting cutting-edge solutions that elevate the standards of safety, efficiency, and performance.

A LEGACY OF EXCELLENCE

Since our inception, Afras Industries has consistently pushed the boundaries of what is possible. Our unwavering commitment to quality, innovation, and customer satisfaction has made us an industry leader, setting new benchmarks for excellence in product design and manufacturing. Our journey began with a vision to transform the pool and spa industry, and today, we stand as a multifaceted enterprise with an extensive range of offerings.

INNOVATIVE PRODUCT PORTFOLIO

At Afras Industries, we take pride in our diverse product catalog, which includes pool drain covers, submersible pumps, variable speed pumps, and an array of fittings tailored to meet the unique needs of pools and spas. However, our commitment to innovation extends far beyond these core offerings. We continuously expand our product line, developing solutions that not only meet industry standards but redefine them.

INDUSTRY LEADERSHIP

Our position as a trusted industry leader is the result of our dedication to engineering products that are built to perform. We understand the significance of safety in the pool/spa industry, the efficiency required in the water industry, and the precision demanded by the air industry. Our products reflect this understanding, meeting the most stringent quality and regulatory standards.

CUSTOMER-CENTRIC APPROACH

Afras Industries operates with a steadfast commitment to our customers. We prioritize collaboration, ensuring that every product we design and manufacture is a result of extensive research and development, addressing the specific needs of our diverse clientele. Our customer-centric approach enables us to create tailor-made solutions that exceed expectations.

A VISION FOR THE FUTURE

As we look to the future, Afras Industries remains dedicated to the pursuit of excellence. We continue to set new benchmarks, drive innovation, and maintain the highest standards of quality in all our products. Choose Afras for products that not only meet your expectations but exceed them. Experience innovation, reliability, and excellence with each and every product we offer. Join us in shaping the future of the pool, spa, water, and air industries.

INNOVATION MATTERS



New Products

pg 6-10

PumpWiz
Extension Fittings
Clear PVC Fittings

Wireless Spa Vacuum
Check Valves
Variable Speed Pumps

Sunmuf

pg 11-12

Main Drain Covers

pg 13-14

Anti-Vortex VGB
Sump-less

Anti-Vortex VGB Sump

ABS Fittings

pg 15-18

Directional Flow Inlets
Slip Jet Return
Extension Return
Specialty Fittings

Vacuum Inlets
PVC Reducer
FIP Fittings
Winterizing Plugs

ABF Brass

pg 19-20

Drains
Fittings
Sight Glass

Wedges
Hooks

Vacuum & Cleaning

pg 21

Vakpump
C.P.B Vacuum Cleaner
Vacuum Parts

Salt Chlorinators

pg 22

CFLH
CFPT
Replacement Cells

Pumps

pg 23-28

Submersible	RS100
Booster Pump	RS200
Replacement Motors	RS300
Variable Speed Pump	RS400

AFRAS INDUSTRIES

TERMS AND CONDITIONS

ACCEPTANCE OF ORDERS

All order and contracts are subject to acceptance by Afras Industries Inc. (hereafter referred to as Afras) and to the conditions herein set forth. Verbal orders are accepted under certain conditions, but Afras reserves the right to withhold actual shipment until written confirmation is received.

PRICES

PRICES ARE SUBJECT TO CHANGE WITHOUT NOTICE AND WILL BE THOSE IN EFFECT AT THE TIME OF SHIPMENT. Prices do not include any applicable state or local taxes.

TERMS

Shipments will be made on open account upon final approval by our Credit Department, otherwise billing will take place COD or credit required. For international sales, 100% payment is required prior to shipment. Minimum billing will be \$50.00 net. If order is received under \$50.00 net, a \$10.00 surcharge will be applied to that order.

DISCOUNTS AND PAYMENTS

Invoices are usually sent one business day after the day of shipment. Terms are net 30 days from invoice date (only US customers) or as otherwise indicated.

PACKING

Prices include packing for domestic shipping. Additional packing charges are made when extra, protective packing is required.

SHIPMENT ROUTING

Customer may request shipment via specific trucking companies or routing. Whenever possible and practicable, Afras will comply with these instructions. However, Afras reserves the right to select a carrier or method of shipment.

Partial orders of specific items will be shipped at the customer's request. Afras may elect to ship a partial order if there is sufficient weight to make an economical shipment. Back-ordered items will be sent when available via the most economical routing.

DELIVERIES

The responsibilities of Afras cease upon consignment of a shipment to any common carrier. Afras does not, unless previously instructed, insure shipment beyond the point of consignment to such common carrier.

CLAIMS

Responsibility for safe shipment passes to the carrier upon consignment of merchandise to the carrier and receipt by Afras of a signed Bill of Lading. Any claims for shortage of damage, whether concealed or obvious, must be filed with the Delivering Carrier by the Consignee. Shortages or discrepancies between contents of cartons and Packing List must be reported to Afras in writing within 5 days of receiving shipment. Full details must be included.

RETURN OF GOODS

No returns should be made without a written request and authorization by Afras. Merchandise returned without authorization, freight collect, will be refused by Afras. After receipt of a Return Goods Authorization form, the merchandise is to be shipped FREIGHT PREPAID in the manner and to the destination designated. New, unused material of current design, accepted by the company for credit as charged, is subject to a minimum handling and restocking charge of 25%. ITEMS MADE TO CUSTOMER'S SPECIFICATIONS ARE NOT RETURNABLE.

GURANTEES AND WARRANTIES

Afras guarantees that all products, when shipped, are free from manufacturing defects or faults. That when installed, applied, and used according to instructions will perform according to specifications. Some Afras products are under warranty for specific periods. If they fail to fulfill the warranty, a prorated credit is given for the unfilled period. Equipment and accessories not manufactured by Afras are under warranty only to the extent of the original manufacturer's warranty. All claims for defects under our guarantee or warranty must be reported in writing to Afras. We reserve the right to request the return of such merchandise to our plant, or where directed, freight prepaid, for inspection. Returned merchandise found defective under guarantee or warranty will be repaired or replaced. No claims for labor, cartage or other consequent damages will be allowed.

CHANGES OF DESIGN

Progressive changes may be made in the design, construction or specifications of any product. No obligation or liability on the part of Afras is assumed or implied to furnish or install said changes on products previously sold. Afras reserves the right to discontinue the manufacture and sale of any product.

CONDITIONS

All sales made by Afras are subject to these conditions. No exceptions will be permitted unless agreed to in writing by an authorized officer of the company. In all cases of conflict between these conditions and those on a customer's purchase order, these conditions shall take precedence.

INNOVATION MATTERS



PumpWiz

from **afras**

Elevate the performance and efficiency of your pumping system with **PumpWiz**, a groundbreaking innovation designed to transform your manual pump into an automated powerhouse. This cutting-edge product offers a multitude of benefits, ranging from energy conservation to safeguarding against dry runs and blockage issues.



Key Features -

AUTOMATED PUMP OPERATION: PumpWiz seamlessly automates your pump

ENERGY SAVINGS: PumpWiz is engineered to maximize energy efficiency, ensuring that your pump operates optimally while minimizing power consumption.

DRYRUN PROTECTION: Our advanced technology is adept at safeguarding your pump from the perils of dry runs, preserving the longevity and reliability of your pumping system.

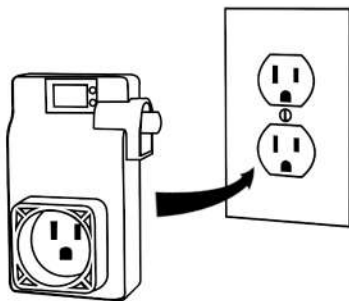
BLOCKAGE DETECTION: PumpWiz is equipped with intelligent sensors that detect blockage situations, triggering an automatic shutdown to prevent damage to your equipment

AMP DRAW AND TIMER: PumpWiz provides a comprehensive monitoring system with an accurate Amp draw and time counter, allowing you to track your pump's performance and usage.

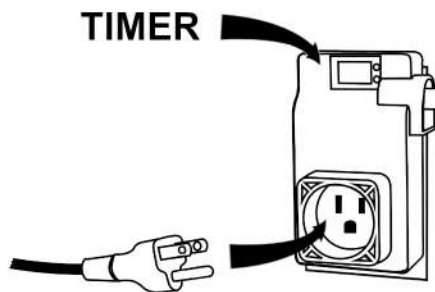
PLUG

SET

AUTOMATIC



EASY INSTALL



TIME & AMP MONITOR



SHUTS OFF IN DRYRUN



NEW PRODUCTS

1.5" Threaded UPVC Ball Valve

This 1.5" inlet x 1.5" outlet ball valve is crafted with threaded connections on both inlet and outlet for a secure fit. It features a solid design and is easy to install and maintain. This heavy-duty valve will offer long-term performance.
Product code: 50115



Extension Fitting Adapter

This Extension Fitting Adapter features a sleek design to complement any home or commercial re-plastering project. With a large flat front this fitting ensures a clean look when installed. Choose from White, Black, or Light Gray to match your aesthetic. This fitting is available in a 1.5" x 1" slip fit or a 1.5" threaded end for easy installation.



	WHITE	BLACK	LIGHT GREY
THREADED	10048W	10048BK	10048LTGY
SLIP FIT	10049W	10049BK	10049LTGY

2" In-Line Check Valve

Slip fit of 2" and 1.5" socket, with a low-pressure drop for easy replacement in the field. Transparent body serves as a sight glass. No maintenance necessary.
Product code: 30202



Afras Press-In Check Valves

Allows passage of water in one direction only. Provides superior flow control, making it ideal for preventing flooding or backflow. Comes in 1.5" and 2" to ensure compatibility with many different applications.
Product code: 1.5" - 30115 2" - 30102



Afras Clear PVC Fittings

Upgrade your plumbing with our Clear PVC fittings. Their transparency allows easy visual inspection of water flow, making them ideal for use with our press-in check valves. Available in three shapes, each shape available in 1.5" and 2".



	1.5"	2"	1.5" W/ VALVE	2" W/ VALVE
ELBOW	31015V	31002V	31015	31002
TEE	32015V	32002V	32015	32002
COUPLING	33015V	33002V	33015	33002



NEW AFRAS WIRELESS SPA VACUUM



Key Features -

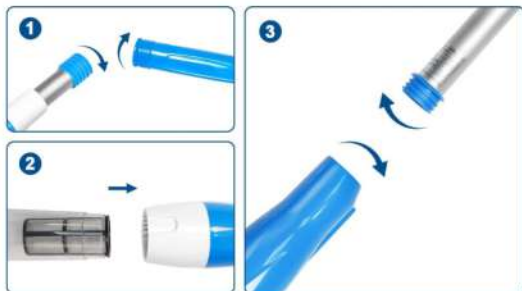
CORDLESS & RECHARGEABLE: With this cordless handheld pool vacuum, you have the freedom to clean any area of your pool or spa without dealing with the hassle of a power cable

POWERFUL & VERSATILE: The powerful motor and roller bristle design allows this vacuum to easily dislodge and suction up debris accumulating in your pool, from small leaves down to silt

EASY OPERATION: Featuring a sleek and portable design, granting you access to the most confined areas. Automatic immersion detector triggers suction action when in water

QUICK CLEAN-UP: Get rid of annoying tubes! Featuring an easy clean up system and a mesh filter to trap even the tiniest of dirt particles, your pool will be cleaner than ever before.

LONG WORKING TIME: It takes only two hours to charge and offers up to two hours of cleaning power, perfect for quick clean-ups or a full deep clean



Multi-scenario use





NEW AFRAS VARIABLE SPEED PUMPS



Key Pump Features -

SELF-PRIMING: Quick and easy startup with adjustable priming mode for optimal performance with a simple user interface and an onboard time schedule for easy and automated operation

EXTREMELY QUIET OPERATION: Integrated volute and pot reduce hydraulic noise for a quieter, more efficient pump

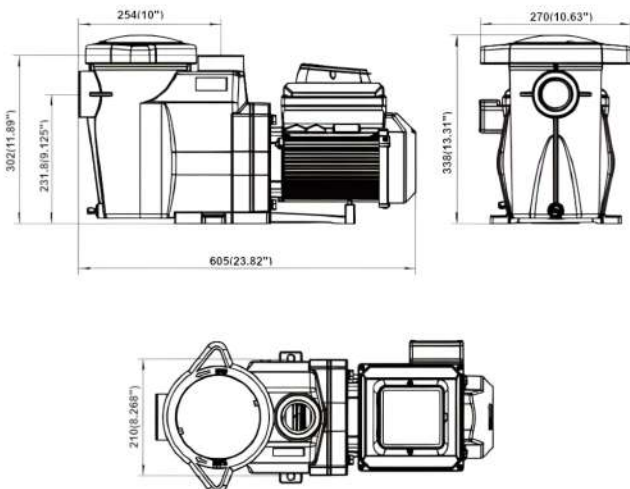
SEE-THROUGH LID: Easy inspection of strainer basket for optimal performance with a programmable quick clean mode and a strainer cover kit for easy cleaning and maintenance

IPX6 CERTIFIED UV: Rain-proof enclosure for durability in all weather conditions with diagnostic alarm display for easy troubleshooting

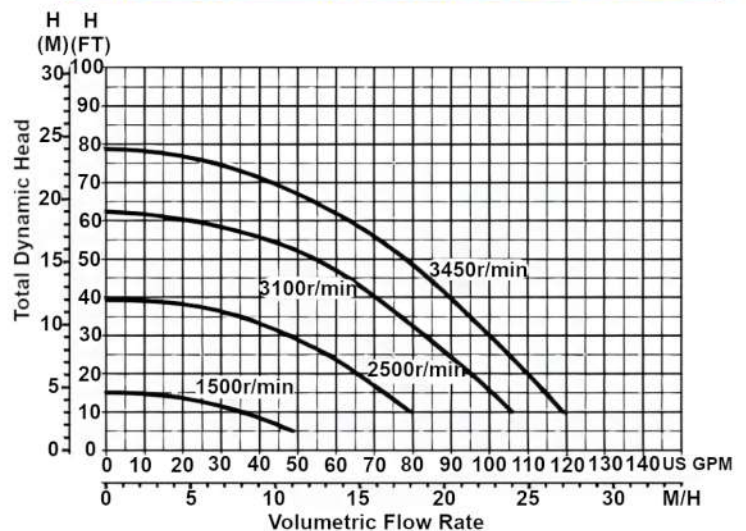
SUPER-DUTY TEFC: Totally enclosed fan cooled motor for long life and reliability with active power factor correction for energy efficiency

ETLUS/CETL: Listed for safety and compliance

PUMP DIMENSIONS



PERFORMANCE CURVES FOR PRESET SPEEDS



NEW PRODUCTS



AVAILABLE IN 1.5HP, 2HP & 3HP

PRODUCT CODE

FB2015VS

FB2020VS

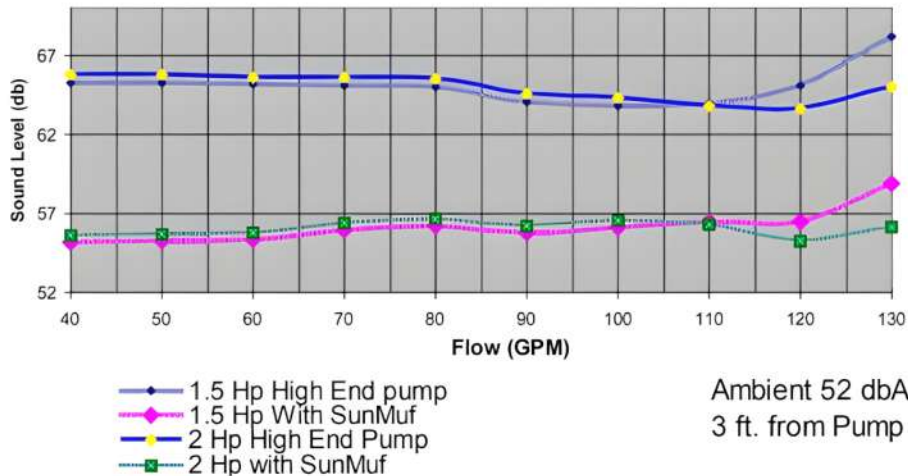
FB2030VS





REDUCES SOUND POLLUTION AND PROTECTS FROM SUN DAMAGE

SIMPLY!





Elevate your pool pump protection and reduce operational noise with SunMuf from Afras, an expertly designed enclosure that excels in preserving the integrity of your pool equipment. It shields your pump from sun exposure while minimizing noise levels by up to 10 decibels. Protect your pump while enjoying the peaceful environment of your pool with SunMuf from Afras!

Key Features -

SOUND ATTENUATION: Our fully insulated enclosure effectively reduces pool pump noise levels by 10 decibels, ensuring a more tranquil pool area.

UV & HEAT PROTECTION: Crafted from UV-resistant, high-temperature thermoplastic and equipped with flame retardant foam, this enclosure provides comprehensive protection for your pool pump, extending your pump's lifespan.

EFFORTLESS INSTALLATION: Assembling and disassembling the enclosure is a straightforward process, requiring no specialized tools. Streamlining maintenance and setup.

OPTIMIZED VENTILATION: Our design prioritizes efficient cooling and heat dissipation, complemented by knockout sections for customizable airflow. Proper cooling ensures the continued peak performance of your pool pump.

TAILORED ADAPTABILITY: Featuring pre-cut parts and knockout sections, the enclosure can be adjusted to accommodate the specific requirements of your pump's wet, or dry, end section.

WET END



DRY END



OR BOTH!



MAIN DRAIN COVERS

TOP SELLER

Afras Anti-Vortex ABS Drain Cover - 7.375 Inch

Featuring an anti-vortex design, this product ensures safety and optimal water circulation. Comes with a 7.375-inch diameter cover and a 7.75-inch diameter mounting ring, supported by a precise 6.78-inch center distance between mounting screws. In addition to its safety features, this product is fully VGB compliant and certified. It includes 2 mounting screws and is crafted from durable ABS plastic, guaranteeing long-lasting performance.

	WHITE	BLACK	TAN	LIGHT GREY	DARK GREY
COVER & RING	10064W	10064BK	10064TAN	10064LTGY	10064DKGY
COVER ONLY	11064W	11064BK	11064TAN	11064LTGY	11064DKGY
RING ONLY	12051W	12051BK	12051TAN	12051LTGY	12051DKGY



Afras Anti-Vortex ABS Drain Cover - 11.125 Inch

Featuring an anti-vortex design, this product ensures safety and optimal water circulation. Comes with a 11.125-inch diameter cover and a 12-inch diameter ring. Supported by a precise 10.48-inch center distance between ring mounting screws, with additional 7.375-inch mounting holes. In addition to its safety features, this product is fully VGB compliant and certified. It includes 6 mounting screws for various mounts and is crafted from durable ABS plastic, guaranteeing long-lasting performance.

	WHITE	BLACK	TAN	LIGHT GREY	DARK GREY
COVER & RING	10064AWR	10064ABKR	10064ATANR	10064ALTGYR	10064ADKGYR
COVER ONLY	10064AW	10064ABK	10064ATAN	10064ALTGY	10064ADKGY
RING ONLY	11064AWR	11064ABKR	11064ATANR	11064ALTGYR	11064ADKGYR



Afras Anti-Vortex Drain Cover & Plate - 12x12 Inch

Featuring an anti-vortex design, this product ensures safety and optimal water circulation. Comes with a 11.125-inch diameter cover and a 12x12-inch mounting plate, supported by a precise 10.48-inch center distance between mounting screws. In addition to its safety features, this product is fully VGB compliant and certified. It includes 6 mounting screws for various mounts and is crafted from durable ABS plastic, guaranteeing long-lasting performance. Available only in white.

Product Code: **10064ACW**
Mount Plate Only: **11064ACW**



Afras High Capacity Sumpless Cover -11.125 Inch

Featuring an anti-vortex design, this product ensures safety and optimal water circulation. Comes with a 11.125-inch diameter cover sumpless mounting ring, supported by a precise 10.48-inch center distance between mounting screws. In addition to its safety features, this product is fully VGB compliant and certified. Available only in white.

Product Code: **10064AWD**



MAIN DRAIN COVERS



Sub Main Drain for Concrete Pools

This essential pool accessory is crafted from heavy-duty ABS plastic, guaranteeing durability and resistance to the harshest pool conditions. Included with the drain is a 7.375 inch anti-vortex cover and two securing screws, ensuring smooth water flow and easy installation. Available in a variety of sizes and colors.

	1 1/2 INCH BOTTOM	2 INCH BOTTOM
1 1/2 INCH SIDE	10058A	10058C
2 INCH SIDE	10058D	10058B

	WHITE	BLACK	GREY
10058A	10058AAW	10058AABK	10058AAGY
10058B	10058BAW	10058BABK	10058BAGY
10058C	10058CAW	10058CABK	10058CAGY
10058D	10058DAW	10058DABK	10058DAGY



Sub Main Drain for Vinyl and Fiberglass Pools

This essential pool accessory is crafted from heavy-duty ABS plastic, guaranteeing durability and resistance to the harshest pool conditions. Included with the drain is a 7.375 inch anti-vortex cover and two securing screws, ensuring smooth water flow and easy installation. Available in white in a variety of sizes.

	1.5 INCH BOTTOM	2.0 INCH BOTTOM
1.5 INCH SIDE	10052AA	10052CA
2.0 INCH SIDE	10052DA	10052BA



Sub Main Drain - Drain Only

This essential pool accessory is crafted from heavy-duty ABS plastic, guaranteeing durability and resistance to the harshest pool conditions. Available in a variety of sizes and colors.

	1.5 INCH BOTTOM	2.0 INCH BOTTOM
1.5 INCH SIDE	11058A	11058C
2.0 INCH SIDE	11058D	11058B

	WHITE	BLACK	GREY
11058A	11058AW	11058ABK	11058AG
11058B	11058BW	11058BBK	11058BG
11058C	11058CW	11058CBK	11058CG
11058D	11058DW	11058DBK	11058DG





ABS FITTINGS

TOP SELLER

Afras Directional Flow Inlet Fitting - 1 1/2" Thread

Eyeball fittings are designed to be aimed in the same direction, to create a circular flow pattern around the pool, or a slight surface ripple to aid in moving debris toward the skimmers, or can be aimed to deeper areas that need more circulation. Use smaller eyeball sizes closer to the pump, and larger diameter eyeballs further away, to balance flow among all wall returns. 1 1/2" MIP threading. Sizes below are size of opening.

	WHITE	BLACK	TAN	LIGHT GREY	DARK GREY
1 INCH	10050EW	10050EBK	10050ETAN	10050ELTGY	10050EDKGY
3/4 INCH	10050DW	10050DBK	10050DTAN	10050DLTGY	10050DDKGY
3/8 INCH	10050BW	10050BBK	10050BTAN	10050BLTGY	10050BDKGY
1/8 INCH	10050GW	10050GBK	10050GTAN	10050GLTGY	10050GDKGY



Afras Directional Flow Inlet Fitting - Sweep

Eyeball fittings are designed to be aimed in the same direction, to create a circular flow pattern around the pool, or a slight surface ripple to aid in moving debris toward the skimmers, or can be aimed to deeper areas that need more circulation. 1 1/2" MIP threading. Available in a variety of colors.

	WHITE	BLACK	TAN	LIGHT GREY	DARK GREY
SWEEP	10050AW	10050ABK	10050ATAN	10050ALTGY	10050ADKGY



Afras Directional Flow Inlet Fitting - Blank

Eyeball fittings are designed to be aimed in the same direction, to create a circular flow pattern around the pool, or a slight surface ripple to aid in moving debris toward the skimmers, or can be aimed to deeper areas that need more circulation. 1 1/2" MIP threading. Available in a variety of colors.

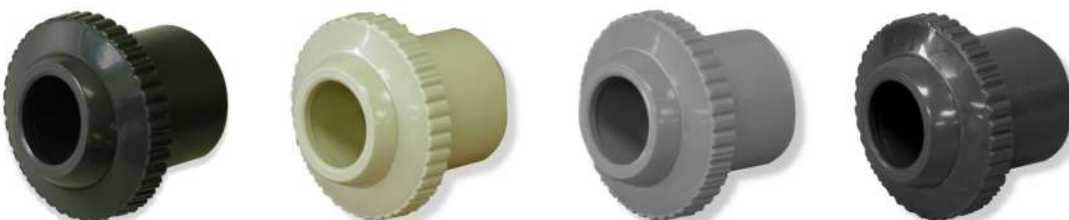
	WHITE	BLACK	TAN	LIGHT GREY	DARK GREY
BLANK	10050FW	10050FBK	10050FTAN	10050FLTGY	10050FDKGY



Afras Slip Jet Return Fitting

Eyeball fittings are designed to be aimed in the same direction, to create a circular flow pattern around the pool, or a slight surface ripple to aid in moving debris toward the skimmers, or can be aimed to deeper areas that need more circulation. 1" Socket, fits inside of 1 1/2" pipe. Available in a variety of colors.

	WHITE	BLACK	TAN	LIGHT GREY	DARK GREY
1 INCH	10072EW	10072EBK	10072ETAN	10072ELTGY	10072EDKGY
3/4 INCH	10072DW	10072DBK	10072DTAN	10072DLTGY	10072DDKGY





Afras Slip Jet Directional Orifice Return Flush

Eyeball fittings are designed to be aimed in the same direction, to create a circular flow pattern around the pool, or a slight surface ripple to aid in moving debris toward the skimmers, or can be aimed to deeper areas that need more circulation. Use smaller eyeball sizes closer to the pump, and larger diameter eyeballs further away, to balance flow among all wall returns. 1" socket, fits inside 1 1/2" pipe. Sizes below are size of opening. Available in Directional and Fixed (F).

	WHITE	BLACK	TAN	LIGHT GREY	DARK GREY
1 INCH	10070EW	10070EBK	10070ETAN	10070ELTGY	10070EDKGY
3/4 INCH	10070DW	10070DBK	10070DTAN	10070DLTGY	10070DDKGY
1 INCH (F)	10070EWF	10070EBKF	10070ETANF	10070ELTGYF	10070EDKGYF
3/4 INCH (F)	10070DWF	10070DBKF	10070DTANF	10070DLTGYF	10070DDKGYF



Afras Extension Return Fitting

Simply thread into existing return fitting. Full thread depth to allow vac port fittings to seal flush. Gives pool the traditional look customers expect. 1 1/2" MIP threading.

	WHITE	BLACK	TAN	LIGHT GREY	DARK GREY
1 INCH	10071EW	10071EBK	10071ETAN	10071ELTGY	10071EDKGY
3/4 INCH	10071DW	10071DBK	10071DTAN	10071DLTGY	10071DDKGY



Afras Extension Return Fitting Socket

Simply thread into existing return fitting. Full thread depth to allow vac ports fittings to seal flush. Gives pool the traditional look customers expect. 1 1/2" MIP threading.

	WHITE	BLACK	TAN	LIGHT GREY	DARK GREY
SOCKET	10071W	10071BK	10071TAN	10071LTGY	10071DKGY



Afras Extension Return Fitting Base

Slip fit. Fits inside 1 1/2" pipe or slips over 1" pipe.

	WHITE	BLACK	TAN	LIGHT GREY	DARK GREY
BASE	11070W	11070BK	11070TAN	11070LTGY	11070DKGY



Afras Extension Fitting Adapter

Extension fitting design for re-plastering. Large flat front to achieve a clean look once installed. Available in 1 1/2" x 1" Slip fit or 1 1/2" MIP threaded.

	WHITE	BLACK	LIGHT GREY
THREADED	10048W	10048BK	10048TAN
SLIP FIT	10049W	10049BK	10049TAN





ABS FITTINGS

Afras Rotating Therapy Jet 1 1/2" Threaded

Our therapy jets provide progressive resistance for assisted and resistive exercises, allowing for increased conditioning, strength and flexibility. Featuring a stainless steel ball bearing race that creates a smooth and therapeutic spinner action, perfect for any inground spa.

	WHITE	BLACK	TAN	LIGHT GREY	DARK GREY
CODE	10090W	10090BK	10090TAN	10090LTGY	10090DKGY



Replacement Eyeballs

Use smaller orifice eyeball sizes closer to the pump, and larger diameter eyeballs further away to balance flow among all wall returns. Use blank for nonadjustable flow.

	WHITE	BLACK	TAN	LIGHT GREY	DARK GREY
1 INCH	12050EW	12050EBK	12050ETAN	12050ELTGY	12050EDKGY
3/4 INCH	12050DW	12050DBK	12050DTAN	12050DLTGY	12050DDKGY
3/8 INCH	12050BW	12050BBK	12050BTAN	12050BLTGY	12050BDKGY
1/8 INCH	12050GW	12050GBK	12050GTAN	12050GLTGY	12050GDKGY
BLANK	12050FW	12050FBK	12050FTAN	12050FLTGY	12050FDKGY
SWEEP	12050AW	12050ABK	12050ATAN	12050ALTGY	12050ADKGY



Replacement Retainer Rings

Easily threads in to secure the eyeball to the fitting. Available in five colors.

	WHITE	BLACK	TAN	LIGHT GREY	DARK GREY
RING	12050W	12050BK	12050TAN	12050LTGY	12050DKGY



Afras Return Bubbler

Designed to create a uniform and consistent bubbles. Flat top to be flush with pool/sap floor or walls. 1" Socket or fits over 1 1/2" pipe. Available in five colors.

	WHITE	BLACK	TAN	LIGHT GREY	DARK GREY
BUBBLER	10068W	10068BK	10068TAN	10068LTGY	10068DKGY



ABS Vacuum Fitting for Concrete Pools

Large flat front to achieve a clean look in concrete pools once installed. 2" MIP X 1 1/2" FIP. 1 1/2" Pipe Socket. Available in five colors.

	WHITE	BLACK	TAN	LIGHT GREY	DARK GREY
FITTING	10054AW	10054ABK	10054ATAN	10054ALTGY	10054ADKGY





FIP Inlet/Outlet Fitting for Above Ground or Vinyl Liner Pools

The ideal plumbing solution for Above Ground or Vinyl Liner Pools. Engineered for durability and compatibility, this 1 1/2" Inlet/Outlet Fitting with a plastic nut is designed to streamline your pool plumbing system with ease. This fitting accommodates 1 1/2" piping. Product Code: **10055WCH**



FIP Inlet/Outlet Fitting with Brass Locknut

1 1/2" inlet/outlet fitting with brass nut. Fits 1 1/2" piping. Used For vinyl fiberglass, steel, wood and fiber panel pools. Available in white only. Product Code: **10056**



FIP Inlet/Outlet Fitting for Vinyl, Fiberglass and Steel Pools

1 1/2" inlet/outlet fitting. Fits 1 1/2" piping. Available in white only. Product Code: **10055**



	GASKET	FACE PLATE	SCREWS	BODY
PRODUCT	11055	12055	13055	14055



11055



12055



13055



14055

Reducer PVC

Reducer bushing 2" x 1 1/2" PVC. Available in white only. Product Code: **10061**



1 1/2" ABS Threaded Plug

Used to plug 1 1/2" fitting or pipe. Available with O-Ring or Gasket in white only.

	PLUG WITH O RING	PLUG WITH GASKET
PRODUCT	10059WOCH	10059WGCH



10059WOCH



10059WGCH

Test Plug

Available in two sizes in black only.

	1 1/2"	2"
PRODUCT	10059	10060



10059



10060

Rubber Winterizing Plug

Winterizing plugs designed to absorb the expansion of winter freeze-up in skimmers. It does not require you to leave your pool drained below the skimmer during the winter. Use one winter plug in each swimming pool return inlet and main drain. Available in two sizes.

	1 1/2"	2"
PRODUCT	10095L	10095M





ABF BRASS

BRASS DRAINS AND FITTINGS

Adjustable Chrome Plated Brass FIP Inlet

This 1 1/2" Female Iron Pipe (FIP) fitting ensures a secure and seamless connection to standard plumbing systems, making it an ideal choice for a wide range of applications. What sets this inlet apart is its innovative adjustable flow feature, allowing you to customize water flow to suit your specific requirements

Product Code: **10028**

Main Drain Chrome Plated Brass Drain Cover

This 1 1/2" FIP connection ensures a seamless fit with standard plumbing systems, making it a versatile choice for various applications. The chrome-plated finish not only adds a touch of sophistication to your plumbing fixtures but also provides excellent corrosion resistance, ensuring long-lasting durability.

Product Code: **10039A**

Vacuum Wall Fitting 1 1/2"

1 1/2" Male Iron Pipe Size (M.I.P.S.), Chrome Plated Brass (C.P.B.)—the epitome of reliability and functionality for your system. Engineered with precision, this fitting is designed to meet the highest standards, ensuring optimal performance in both residential and commercial applications.

Product Code: **10016**

Afras Sight Glass - 1 1/2"

These glasses are used to provide a means to view the level of fluid in a container or tank. Also offered in a variety of combinations of metal, plastic and glass, to accommodate different types of fluids and tank pressures.

Product Code: **10020**

Afras In-Line Sight Glass - 1 1/2"

The Afras In-Line Sight Glass, a brass solution for seamless fluid level monitoring within your plumbing pipelines. Specifically designed for in-line installation, this sight glass offers a clear window into the fluid levels of your pipes, ensuring efficient management.

Product Code: **10038**

Afras In-Line Sight Glass - 1 1/2"

White ABS Slip Fit

A solution designed for in-line installation on your pipes, offering fluid level monitoring with the added benefits of ABS plastic construction and a slip fit design. This sight glass redefines precision and adaptability in plumbing applications.

Product Code: **10062**

Afras In-Line Sight Glass - 1 1/2"

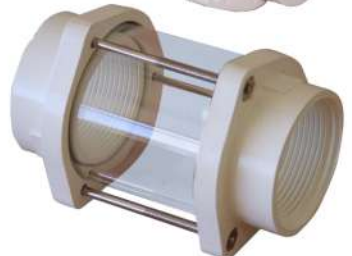
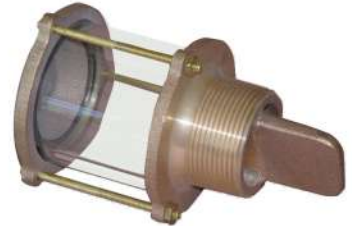
White ABS Threaded

A solution designed for in-line installation on your pipes, offering fluid level monitoring with the added benefits of ABS plastic construction and a threaded design. This sight glass redefines precision and adaptability in plumbing applications.

Product Code: **10063**

Afras Sight Glass Parts

PRODUCT	GASKET (X2)	NUTS AND BOLT (X3)	GLASS ONLY
	11020	12020	13020





Brass Wedge Anchor with Integral Flange for 1.9" Tubing

Crafted from high-quality brass, the wedge anchor offers unparalleled strength and corrosion resistance, making it an ideal choice for pool environments. The integral flange design adds an extra layer of stability, guaranteeing a reliable connection between the anchor and your 1.9" pool ladder tubing. Depth 4"

Product Code: 10029

PRODUCT	BOLT 11029	WASHER 12029	WEDGE 13029
---------	---------------	-----------------	----------------



Rope Eye Hook

Crafted with precision from Chrome Plated Brass (C.P.B.), this rope eye hook holder is designed for durability. Comes with washer and nut.

Product Code: 10004

PRODUCT	NUT 11004	WASHER 12004	GASKETS (X2) 13004	ROPE HOOK 11003
---------	--------------	-----------------	-----------------------	--------------------



Rope Eye Hook Holder C.P.B. with Anchor & Plug

Rope eye hook holder C.P.B. Comes in complete assembly with anchor and plug or sold as individual parts.

Product Code: 10003

PRODUCT	ANCHOR 12003	PLUG 13003	ROPE HOOK 11003
---------	-----------------	---------------	--------------------



Rope Hook For C.P.B

Comes complete with two screws, ensuring a secure and hassle-free installation process. The Chrome Plated Brass construction adds a sleek and polished look to your space while guaranteeing resistance to corrosion. Available in a variety of sizes.

PRODUCT	3/8" 10002	1/2" 10006	3/4" 10026
---------	---------------	---------------	---------------



External Rope Eye Hook Holder C.P.B

Measuring at 5 1/4" length, this hook holder secures ropes effectively. Its surface coping mount design simplifies installation, making it an ideal choice for both professional installers and DIY enthusiasts.

Product Code: 10005



Brass Cup Anchor with Integral Cross Bar

Cup anchors are designed to be installed into a concrete swimming pool wall and are used primarily for securing swim racing lanes and pool safety ropes, but may be used with other pool equipment also.

Product Code: 10025



Reinforced ABS Cup Anchor

Cup anchors are designed to be installed into a concrete swimming pool wall and are used primarily for securing swim racing lanes and pool safety ropes, but may be used with other pool equipment also. ABS with steel reinforced cross bar.

PRODUCT	WHITE 10066W	BLACK 10066BK	TAN 10066TAN	LIGHT GREY 10066LTGY	DARK GREY 10066DKGY
---------	-----------------	------------------	-----------------	-------------------------	------------------------





VACUUMS

NEW Afras Wireless Spa Vacuum

Introducing the new Afras Cordless Pool and Spa Vacuum – a hassle-free solution for debris removal. With a cordless design and a powerful motor, it can quickly clean your pool or spa from small leaves to fine silt. It's easy to use with an automatic immersion detector, and its quick clean-up system and mesh filter ensure thorough cleaning. With a two-hour charge providing up to two hours of cleaning time, this vacuum is an efficient and convenient choice for pool and spa maintenance.

Product Code: **80024**

Package Includes:



Afras Vakpump Pool

Introducing the Vakpump Pool Vacuum Cleaner: Dive into crystal-clear waters with ease! The Vakpump effortlessly sucks up debris, leaves, and dirt, keeping your pool pristine and ready for endless summertime fun.

Product Code: **10300**

Afras Vakpump Spa

Introducing the Vakpump Spa Vacuum Cleaner: Effortlessly maintain your spa oasis as it delicately cleans away dirt and impurities. Unwind in perfectly clean waters and embrace the ultimate spa experience with the Vakpump Spa.

Product Code: **10200**

Afras Vakpump Replacement Parts

Explore our range of high-quality Vakpump parts, designed to keep your pool and spa vacuum running at peak performance. From replacement bags and brush heads to valves and more, our genuine Vakpump parts ensure your cleaning equipment stays in top shape. Get the most out of your Vakpump and maintain your pool and spa effortlessly with our reliable and durable replacement parts.

PRODUCT	HANDLE	INLET VALVE	BRUSH	BAG	OUTLET VALVE
	11201	11203	11205	11204	11202



10009



10013

Replacement Heads for Pool Vacuum CPB

Upgrade your pool cleaning experience with our Replacement Pool Vacuum Cleaner Heads, available in two options: the efficient 3-wheel and the stable 4-wheel design. Crafted from durable chrome-plated brass, these heads are built to withstand the rigors of pool maintenance. Ensure a thorough and reliable clean for your pool with these premium replacement heads, designed to make your pool maintenance a breeze.

Product Code: 3 Wheel - **10009** 4 Wheel - **10013**

SALT CHLORINATORS



Salt Chlorinator CFLH

Elevate your pool care with the Salt Chlorinator CFLH, available in models CFLH20, CFLH30, CFLH40, and CFLH60, offering adjustable chlorine output from 20 to 60 grams per hour. Maintain your pool's ideal salt level effortlessly at 3000-4000 ppm, while the cell's remarkable 20,000-hour lifetime ensures years of reliable performance. Compact and lightweight at 11kg, it pairs seamlessly with Hayward Aquarite® 15K, 25K, and 40K systems. With self-cleaning, flow sensor, and easy-to-read LED indicators, the Salt Chlorinator CFLH streamlines your pool maintenance, bringing crystal-clear water within reach.

Model NO.: CFLH20/30/40/60
 Chlorine output: 20/30/40/60 grams/hour
 Salt Level Ideal: 3000-4000 ppm
 Cell lifetime: ~20000 hours
 Compatibility: Hayward Aquarite® 15K/25K/40K
 Input Voltage/Freq: 120V/240V, 50HZ/60HZ
 Pipe Size: 1.5" or 2"
 Self-cleaning: Yes, Reverse Polarity
 Flow sensor: Yes
 Control: LED indicators, Digital
 Carton size: 36.5x27.5x30cm one carton one unit
 Gross Weight: ~11KG



	POOL SIZE	COMPATIBILITY
CFLH20	60-75M ³ /20,000 GALLON/75,000 LTRS	AQUARITE 15K
CFLH30	75-115M ³ /30,000 GALLON/115,000 LTRS	AQUARITE 25K
CFLH40	115-150M ³ /40,000 GALLON/150,000 LTRS	AQUARITE 40K
CFLH60	150-230M ³ /60,000 GALLON/230,000 LTRS	AQUARITE 60K

Salt Chlorinator CFPT

Discover the future of pool maintenance with the CFPT Salt Chlorinator, available in models CFPT20, CFPT30, CFPT40, and CFPT60, each delivering a precise chlorine output ranging from 20 to 60 grams per hour. Easily maintain your pool's ideal salt level at 3000-4000 ppm, while the impressively long 20,000-hour cell lifetime ensures your pool stays pristine for years to come. With a compact design and a lightweight build of approximately 11 kilograms, the CFPT is both space-efficient and user-friendly. It seamlessly pairs with Pentair Intellichlor® IC20, IC40, and IC60 systems, making integration into your existing pool setup a breeze. Plus, enjoy the convenience of self-cleaning through Reverse Polarity and stay informed with digital LED indicators for quick and easy control.

Model NO.: CFPT20K/30K/40K/60K
 Chlorine output: 20/30/40/60 grams/hour
 Salt Level Ideal: 3000-4000 PPM (2300-6500 PPM)
 Cell lifetime: ~20000 hours
 Compatibility: Pentair Intellichlor® IC20/IC40/IC60
 Self-cleaning: Yes, Reverse Polarity
 Control: LED indicators, Digital
 Carton size: 38x49x30cm one carton one unit
 Gross Weight: ~11KG



	POOL SIZE	COMPATIBILITY
CFPT20K	20000 GALLON	INTELLICHLOR® IC20
CFPT30K	30000 GALLON	INTELLICHLOR® IC30
CFPT40K	40000 GALLON	INTELLICHLOR® IC40
CFPT60K	60000 GALLON	INTELLICHLOR® IC60

Replacement Salt Cells

Compatible with CFPT20/40/60 and Pentair Intellichlor® IC20/40/60 systems

	COMPATIBILITY	COMPATIBILITY
31200S	CFPT20K	INTELLICHLOR® IC20
31400S	CFPT40K	INTELLICHLOR® IC40
31600S	CFPT60K	INTELLICHLOR® IC60



PUMPS

SUBMERSIBLE PUMPS

Crafted from non-corrosive, super-tough, glass-reinforced thermoplastic for the motor housing, pump casing, and impeller, our pumps are built to last. With a high-efficiency motor, IP68 protection, and F class insulation, you can rely on these pumps for consistent, dependable performance. Safety and longevity are paramount, and our pumps come equipped with a built-in thermal overload protector and double mechanical seals to safeguard against moisture intrusion. Their lightweight, robust design ensures a long service life and high efficiency, making them a cost-effective solution for all your pumping needs.

Tailored to your specific requirements, our Submersible Pumps are available in different models: RSA features a float switch for automatic operation, RSE boasts electronic control for precise management, and RSP includes a stabilizing base for added convenience. Whether you need to manage a sump-pit, garden spraying, fountain, waterfall, toilet, laundry, car wash, irrigation, pool, spa, koi pond, or various other portable uses, our Submersible Pumps have you covered. Experience the ease and reliability of water handling with our exceptional pumps, designed to meet all your needs.

115V 60Hz, Connections: Standard hose/tube 1.5" or 1.9" OD, Number of treads: 2, 3, 4, or 5, Type: 304 or 316L (marine grade)

Afras RS100 1/6HP Submersible Pump

Max. flow rate 1200 GPH
Max. head 20.5 ft

	PUMP ONLY	ELECTRONIC CONTROL	FLOAT SWITCH
PRODUCT	RS100	RS100E	RS100A
WITH BASE	RS100P	RS100PE	RS100PA



Afras RS200 1/4HP Submersible Pump

Max. flow rate 2000 GPH
Max. head 21.5 ft

	PUMP ONLY	ELECTRONIC CONTROL	FLOAT SWITCH
PRODUCT	RS200	RS200E	RS200A
WITH BASE	RS200P	RS200PE	RS200PA



FLOAT SWITCH & STRAINER

Afras RS300 1/3HP Submersible Pump

Max. flow rate 2800 GPH
Max. head 23 ft

	PUMP ONLY	ELECTRONIC CONTROL	FLOAT SWITCH
PRODUCT	RS300	RS300E	RS300A
WITH BASE	RS300P	RS300PE	RS300PA

Afras RS400 1/2HP Submersible Pump

Max. flow rate 3500 GPH
Max. head 29.5 ft

	PUMP ONLY	ELECTRONIC CONTROL	FLOAT SWITCH
PRODUCT	RS400	RS400E	RS400A
WITH BASE	RS400P	RS400PE	RS400PA



STABILIZER BASE

Afras Submersible Pump Parts

	RS100/RS200	RS300	RS400
SCREEN RAISED BASE	18101	18101	-
STRAINER RAISED BASE	21101R	-	14103
HOSE ADAPTER	16101 (3/4")	17103E (1.5")	17104E (2")
CABLE 25 FT	13101	11104	11104
CABLE 40 FT	-	19104	19104
IMPELLER	-	11102	11103
MECHANICAL SEAL	-	-	15103

PUMPS

SUBMERSIBLE PUMPS



AFRAS SUBMERSIBLE PUMPS

Non-corrosive, super tough, glass reinforced thermoplastic motor housing, pump casing and impeller.

High efficiency motor with IP 68 protection and F class insulation for cost effective, and safe, pumping.

Built-in thermal overload protector protects your pump from overheating.

High reliability with double mechanical seals that prevents moisture from getting into the motor.

Light-weight and simplified construction with robust design for long service life.

Equipped with float switch in RS-A models and Electronic Control in RS-E for automatic operation.

RS100



RS300



APPLICATIONS

Sump-Pit and Basement: Keep your basement dry and sump-pit efficiently drained, safeguarding your property from potential water damage.

Garden and Fountain: Transform your garden into a lush oasis with our pumps that effortlessly circulate water, ensuring optimal hydration for your plants.

Waterfall: Our submersible pumps provide the necessary power and reliability to craft stunning waterfalls that captivate the senses.

Pool and Spa: Our submersible pumps are designed to handle the demands of water circulation and filtration, ensuring a clean and inviting aquatic experience.

Portable Usages: The compact and portable design ensures convenience and ease of use wherever you need them.



PUMPS

VARIABLE SPEED PUMPS



AVAILABLE IN 1.5HP, 2HP & 3HP

PRODUCT CODE

FB2015VS

FB2020VS

FB2030VS





NEW AFRAS VARIABLE SPEED PUMPS

Key Pump Features

SELF-PRIMING: Quick and easy startup with adjustable priming mode for optimal performance with a simple user interface and an onboard time schedule for easy and automated operation

EXTREMELY QUIET OPERATION: Integrated volute and pot reduce hydraulic noise for a quieter, more efficient pump

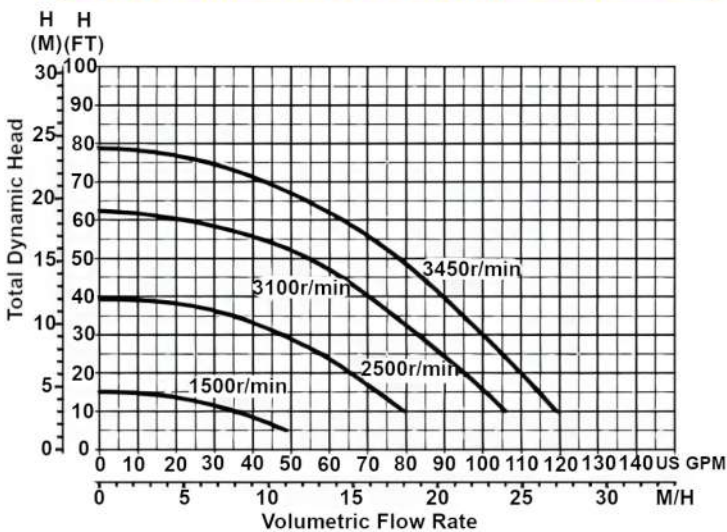
SEE-THROUGH LID: Easy inspection of strainer basket for optimal performance with a programmable quick clean mode and a strainer cover kit for easy cleaning and maintenance

IPX6 CERTIFIED UV: Rain-proof enclosure for durability in all weather conditions with diagnostic alarm display for easy troubleshooting

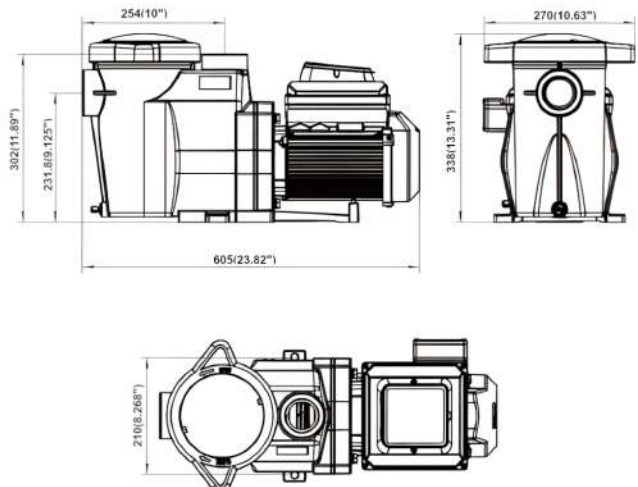
SUPER-DUTY TEFC: Totally enclosed fan cooled motor for long life and reliability with active power factor correction for energy efficiency

ETLUS/CETL: Listed for safety and compliance

PERFORMANCE CURVES FOR PRESET SPEEDS



PUMP DIMENSIONS





PUMPS

BOOSTER PUMPS

Afras 3/4 HP Booster Pump

Enhance your pump's performance with our Booster Pump 3/4 hp, a powerhouse designed for efficiency and convenience. Featuring versatile 0.75" x 0.75" connections, dual voltage capability (115V/12.8A, 230V/6.4A) 60hz, and a total dynamic head of 156 ft, this pump ensures optimal water circulation with a maximum flow rate of 22 GPM. Its quiet operation adds serenity to your pool experience, while easy installation makes setup a breeze. CSA listed for quality assurance in the US and Canada, our Booster Pump promises powerful, high-performance water circulation that transforms your pool into an oasis of aquatic luxury.
Product Code: **10110**



Afras 3/4 HP Booster Pump Wet End

Repair or enhance your pump with the wet end of our Booster Pump 3/4 hp. Meticulously engineered for seamless integration and optimal water circulation, this wet end features versatile 0.75" x 0.75" connections, ensuring adaptability to a range of setups. Crafted with precision, the wet end includes essential components such as the impeller, volute, shaft seal, seal plate, and all of the nuts, bolts, and washers necessary for assembly. Elevate your pump with a wet end designed for efficiency and seamless water flow.
Product Code: **11110**



Afras 3/4 HP Booster Pump Motor

Power up your pool with the motor of our Booster Pump 3/4 hp. Engineered for robust performance, this motor boasts a dual voltage capability (115V/12.8A, 230V/6.4A), providing flexibility to suit your electrical requirements. With quiet operation and user-friendly features, it seamlessly integrates into your pool system, ensuring efficient water circulation. Elevate your pool experience with a reliable motor designed to deliver power and performance.
Product Code: **13110**



Afras 3/4 HP Booster Pump Impeller

Revitalize your pool circulation with the impeller of our Booster Pump 3/4 hp. Precision-crafted for optimal water flow, the impeller is the powerhouse within the wet end, propelling water with efficiency. Its design ensures seamless integration and adaptability to various setups, making it a key component for enhancing your pool's performance. Dive into a world of aquatic luxury as the impeller delivers a dynamic and efficient water circulation experience, contributing to the overall excellence of your pool system.
Product Code: **12110**



Afras 3/4 HP Booster Pump Base

Stabilize and support your pool's booster pump with the sturdy base of our Booster Pump 3/4 hp. Engineered for durability and reliability, the base provides a solid foundation for the entire pump system. Its robust construction ensures stability during operation, minimizing vibrations and maximizing the efficiency of the pump.
Product Code: **14110**



Afras 3/4 HP Booster Pump Parts

	DRAIN PLUG	SEAL PLATE	HOUSING	HARDWARE	MECHANICAL SEAL
PRODUCT	19110	17110	16110	18110	15110
O-RING	15110	-	18110	-	-



Afras Two Speed Pump Motor

Dive into superior pool performance with our cutting-edge pump motor. This field-replacement automatic two-speed motor, boasting a 56 Frame design with both "C" and Square flange options, ensures versatility and seamless integration. Crafted with industrial-grade quality, this Energy Star-qualified powerhouse is not only cost-competitive but also impressively energy-efficient. Ranging from 1 hp to 2.5 HP, it caters to various pool sizes, providing the perfect balance of power and efficiency. With a built-in "J" box, installation is a breeze, promising a hassle-free upgrade to elevate your pool experience.

	56C	56 SQUARE	56C W/ CONTROL	56 SQUARE W/ CONTROL
1.0 HP	70204C	70204S	70204AC	70204AS
1.5 HP	70206C	70206S	70206AC	70206AS
2.0 HP	70208C	70208S	70208AC	70208AS
2.5 HP	70210C	70210S	70210AC	70210AS



Afras Single Speed Pump Motor

Enjoy pool perfection with our pump motor designed for seamless field replacement. The robust 56 Frame construction, coupled with versatile Square and "C" flanges, ensures compatibility with various systems. Boasting industrial-grade quality, this motor is not only cost-competitive but also energy-efficient, promising optimal performance while keeping operating costs in check. With power options ranging from 0.5 hp to 2 hp, this motor caters to pools of different sizes, delivering a perfect balance of strength and efficiency. The integrated "J" box facilitates easy installation, streamlining the upgrade process. Operating at 3450 RPM and compatible with 208-230/115 V, this motor sets a new standard for reliability and convenience in pool maintenance.

	0.5 HP	0.75 HP	1.0 HP	1.5 HP	2.0 HP
PRODUCT	70103	70104	70106	70108	70110



**visit us online at
afrasinc.com**

**We offer free shipping on bulk orders.
Orders with a total of over \$5000 qualify for free
nationwide shipping.**

Contact us for more details.



afrasinc.com



copyright 2023 Afras Industries
Newbury Park, California